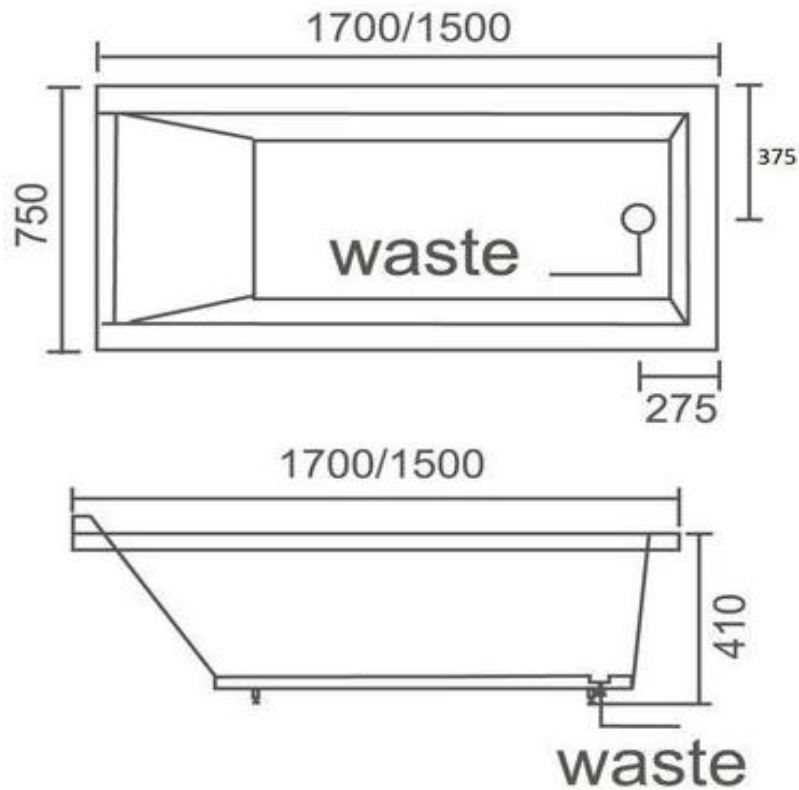


# CHELSEA



1700mm BT 817A

1500mm BT 817AS



## SPECIFICATIONS

- Made from UV Stabilised Premium Sanitary-grade acrylic with Lucite MMA
- Built in steel support frame
- Gloss White Finish

### CLEANING & MAINTENANCE:

Baths should be cleaned with a soft, non abrasive cloth

Avoid using waxes, solvents, abrasives, acids and other chemical based cleaners

Warranty will be void if damages are caused by unsuitable cleaning products

### WARRANTY INFORMATION:

Baths have a 5 Year Replacement on Bath Shell

All Baths have a full 1 year in house labour warranty from date of purchase

**\*Measurements subject to change due to manufacturing variations. Always use Physical Product for Roughing-In\***