


JESS BASIN/BATH SET





WELS: 6 Star 4.5L/min
WELS Reg No: T31244
Pressure Rating: Min 150KPa - Max 500KPa
Temperature Rating: Min 1°C - Max 75°C





WaterMark
 AS/NZS 3718
 WM-025708

 **Chrome**
WT 708
 Straight

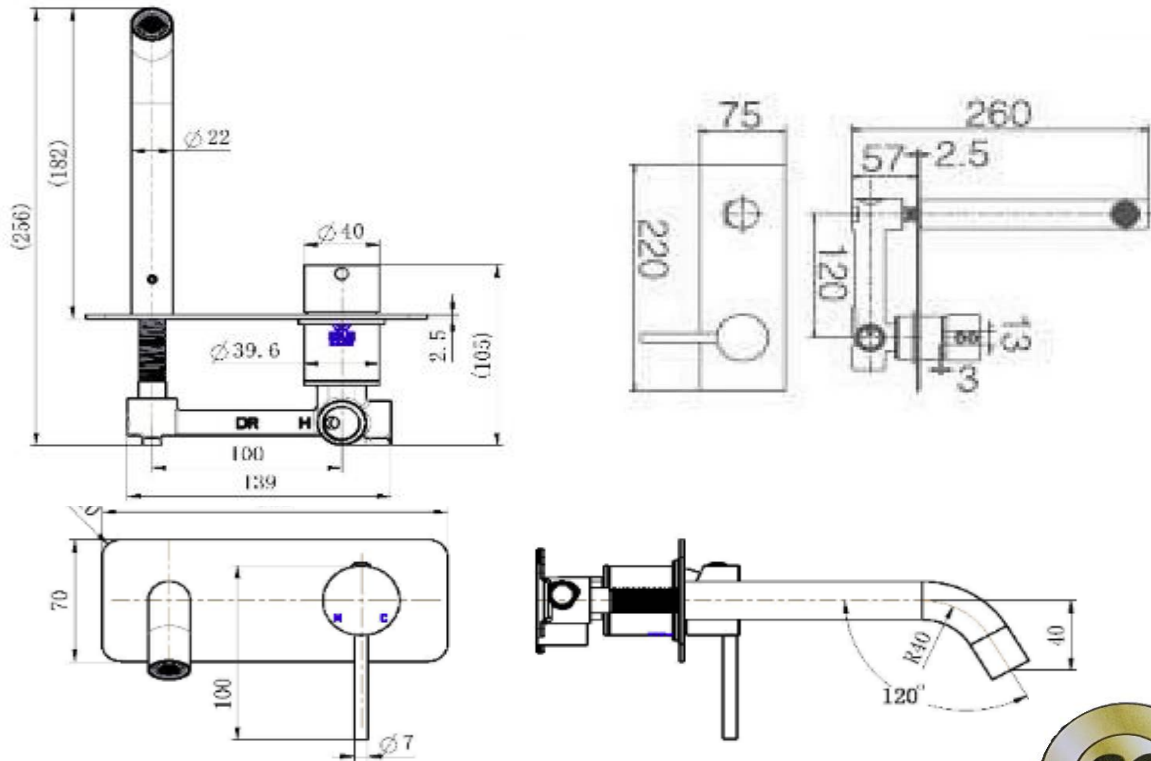
 **Brushed Nickel**
WT 708BN
 Curved

 **Brushed Brass**
WT 708BB
 Straight

 **Gun Metal**
WT 708GM
 Straight

 **Matt Black**
WT 708BKC/BKS
 Curved/Straight

SPECIFICATIONS



CLEANING & MAINTENANCE:

Tapware should be cleaned with mild detergent and water
 All Products must be cleaned with a soft cloth with soapy water, avoid waxes, solvents, abrasives, acids and other chemical based cleaners
 Warranty will be void if damages are caused by unsuitable cleaning products

WARRANTY INFORMATION:

Ceramic Cartidge has a 20 year replacement warranty
 Chrome Finish has a 5 year replacement warranty
 All other finishes have a 2 year replacement warranty
 All products have a full 1 year in house labour warranty from date of purchase

