

ACQUA TOWER MIXER



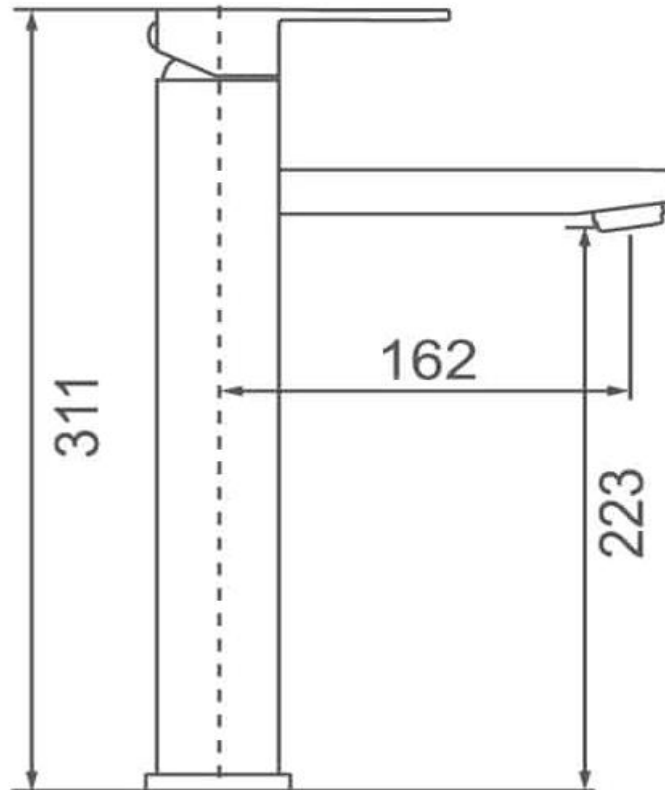
WELS: 5 Star 5L/min
WELS Reg No: T16786
Pressure Rating: Min 150KPa - Max 500KPa
Temperature Rating: Min 1°C - Max 75°C



 Chrome
WT 9106H

 Matt Black
WT 9106HBK

SPECIFICATIONS



CLEANING & MAINTENANCE:

Tapware should be cleaned with mild detergent and water
All Products must be cleaned with a soft cloth with soapy water, avoid waxes, solvents, abrasives, acids and other chemical based cleaners
Warranty will be void if damages are caused by unsuitable cleaning products

WARRANTY INFORMATION:

Ceramic Cartidge has a 20 year replacement warranty
Chrome Finish has a 5 year replacement warranty
All other finishes have a 2 year replacement warranty
All products have a full 1 year in house labour warranty from date of purchase

ect global
kitchen & bathroomware

ADDRESS: 42 Castro Way, Derrimut VIC 3026

PHONE: (03) 8390 6300

OFFICE: ect_sales@outlook.com

SERVICE: ect_service@outlook.com

WEBSITE: www.ectglobal.com.au