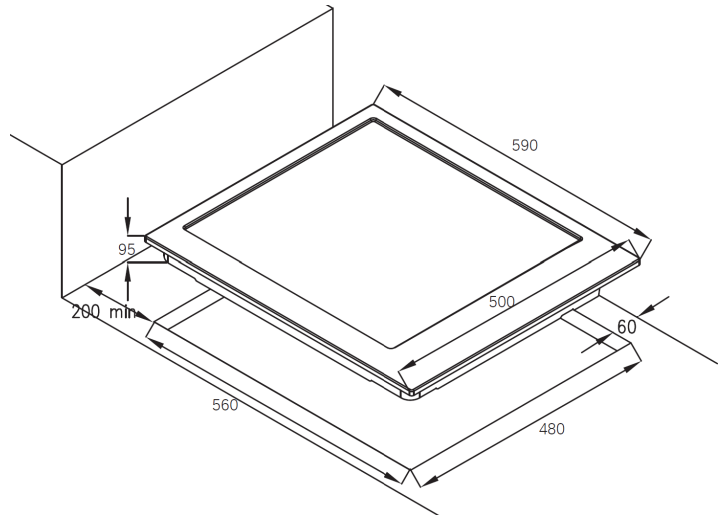


Gas Cooktop 600mm — GC604MSFE



Product Specifications *

Finish	Stainless steel
Dimensions	590 x 500 mm
Power Source	Natural Gas / LPG
Trivets	Black enamelled steel
Burners	Triple ring wok burner (3.6kW) 2 x semi rapid burner (1.75kW) Auxiliary burner (1.0kW)
Controls	Side controls
Features	Flame failure devices Italian SABAF burners Wok trivet Automatic under knob ignition All trivets, burner caps and knobs are removable and dishwasher safe
Options	Cast iron trivets LPG Conversion kit
Warranty	3 years

*Specifications and product size may change without notice. Shinda International is not responsible for any errors or omissions.
All dimensions and images are for illustrative purposes and cut-outs should be based on physical product measurements.