

AP-51184253AU

# 80cm Induction Glass ceramic



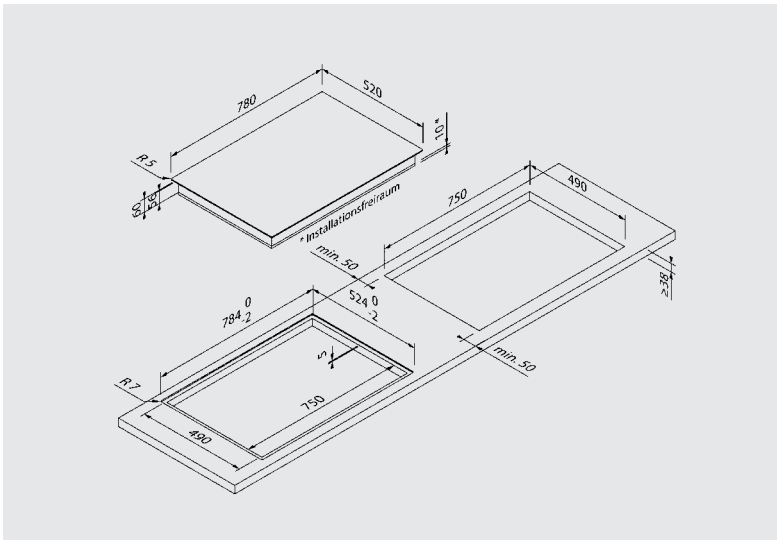
## Features & Benefits

- Device type: induction hob
- Energy source: electric
- Flush-mounted installation possible
- Approval certificates: CE
- Length of connection cable - cm
- Plug type: without plug

## Functions

- 4 Induction cooking zones
- Frameless
- Boost function for all induction cooking zones
- Smart Slider
- Touch Control
- 9 power levels
- Timer
- Child lock
- Digital display (red)
- Residual heat indication for each cooking zone
- Time limitation system

## Specification



### Dimensions

- Appliance dimensions (B/T): 780 x 520mm
- Installation dimensions (H/B/T): 56 x 750 x 490mm
- Appliance dimensions (packed) (H/B/T): 95 x 840 x 600mm
- Weight (Net/Gross) in kg: 11,8/12,3 kg
- Min. worktop thickness: 16mm

### Cooking Zones

- 2 x Ø 160 mm, 1,4 kW (Boost 1,8 kW)
- 2 x Ø 210 mm, 2,1 kW (Boost 2,5 kW)

### Power / Consumption

- Electrical connection value (W): 7400
- Voltage (V): 220-240
- Frequency (Hz): 50 - 60

## Accessories

