



AP-5RC92490AU

90cm Freestanding Oven

Features & Benefits

Easy Cleaning

Removable door, enamelled smooth oven walls and suspended grills for easy cleaning.

Heat Retention

Full glass inner door combined with an internal oven light for viewing so there is no need to open the door, releasing the heat.

Quick Heating

Enamelled cooking chamber for faster oven heating.

Energy Efficient

Energy efficiency class A. 220-240 V with a connected load: cooktop 11.1kW; oven 2.94kW.

Child Safe

Triple glazed glass creates a low door temperature which prevents serious burns from accidental contact.

Capacity

Large oven interior of 109 L

8 Functions

Convection	Double grill
Bottom heat	Double grill fan force
Convection fan force	Defrost
Grill	Rotisserie

Display and Controls

2 dial knobs for oven control and LED indicators for activity and warning.

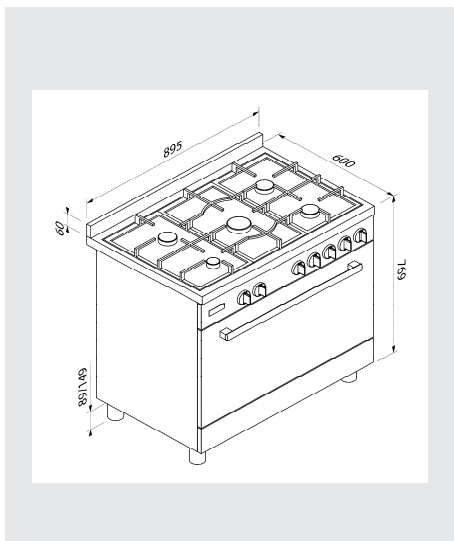
Heating

Electric

Timer

Off, On, Alarm

Specification



Dimensions

Appliance:
H769 x W895 x D600mm

Screen Height

120mm

Weight

Net: 79 kg

Volume

Net: 109 litres

Type

Freestanding

Material

Door: Glass
Panel: Stainless Steel
Oven walls: Enamel

Cooktop Type

Gas cooktop
with 5 SABAF burners

Cooktop Power

Central: 3.6 kW
Front left: 3.0 kW
Rear left: 1.75 kW
Front right: 1.0 kW
Rear right: 1.75 kW

Finish

Stainless Steel & Black

Built-in Lights

1

Connection

- Energy consumption conventional heating - oven 1: 1.31 kWh
- Energy consumption convection/hot air - oven 1: 1.20 kWh
- Hedging: 12.8 A at 230V
- Voltage: 220-240 V
- Frequency: 50-60 Hz
- Front color: glass
- Energy source: Gas & electric
- Approval certificates: CE, CB, SAA
- Length of power cable: 100 cm
- Dimensions of the device: 769 x 895 x 600 mm
- Net weight: 79.0 kg
- Gross weight: 86.0 kg