



AP-5B50P8590AU 60cm Built-in Pyrolytic Airfry Oven

Features & Benefits

Easy Cleaning + Pyrolytic Function

Removable door, enamelled smooth oven walls and suspended grills for easy cleaning. Pyrolytic integrated cleaning in just a push of a button.

Modern Aesthetics

Touch control panel and sleek black glass finish to make your kitchen look flash.

Smart Heating

Temperature suggestions and quick heating reduces preheating time. Full glass inner door combined with two internal oven light for viewing so there is no need to open the door, releasing the heat.

Energy Efficient

Energy efficiency class A+. 220-240 V with a total connected load 3.2kW.

Comfort

Soft closing and opening door. Full-extension telescopic runners for easy tray retrieval.

Child Safe

Triple glazed glass creates a low door temperature which prevents serious burns from accidental contact. Childproof lock and pyrolysis lock function for families.

Airfry

Healthier cooking with less oil, faster preparation times, and versatile functions, making them a convenient and efficient kitchen appliance

12 Heating Types

Top/bottom heat
Lower heat
Circulation
Circulation grill
Vario large-area grill
Vario small surface grill
Airfry function

Hot Air
Hot Air Eco
Pizza mode
Defrost
Dough proving

Display and Controls

Touch control panel and display

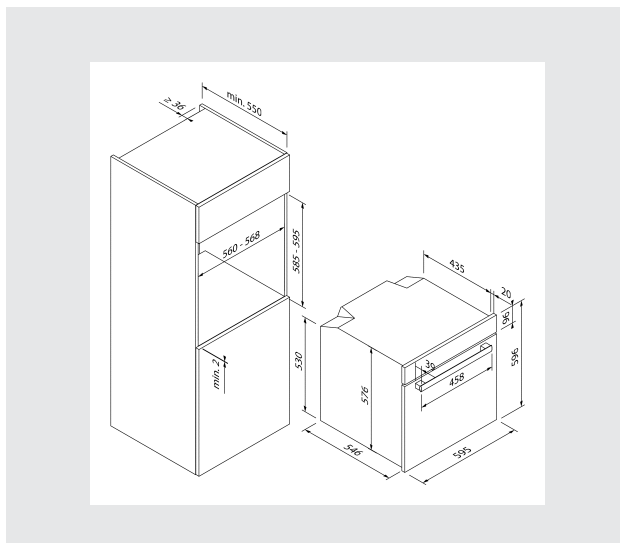
Heating

Electric

Timer

Off, On, Alarm

Specification



Dimensions

Appliance:
H595 x W595 x P565mm
Installation:
H600 x W560 x P550mm

Screen Height

96mm

Weight

Net: 40.26 kg

Volume

Net: 72 litres

Type

Built-in

Material

Door: Glass
Panel: Stainless Steel
Oven walls: Enamel

Finish

Dark Steel & Black Glass

Built-in Lights

2

Connection

- Energy consumption conventional heating -oven : 1.01 kWh
- Energy consumption convection/hot air - oven : 0.65 kWh
- Energy efficiency class: A+
- Electrical connection value: 3200W
- Hedging: 13.9 A
- Voltage: 220-240 V
- Frequency: 50-60 Hz
- Connection Type: Hardwired
- Front color: Black Glass
- Energy source: Electric
- Approval certificates: GS, CE, RCM
- Length of power cable: 100 cm
- Net weight: 42.30 kg
- Gross weight: 44.20kg

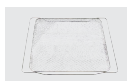
Accessories



Wire rack



Enamelled baking tray



Airfry Tray



Temperature Prob